



**LOUDON**  
**60 x 32 x 77**  
**Low Threshold Shower**

**Available in white,  
 biscuit, & bone**  
**Quick Ship in 7 days**

**Features**

- Easy entry, low, 4" threshold
- Large integral comfort height seat (22" x 18")
- Sturdy shower base with textured floor
- Accessory shelves (10" x 3") and foot ledge (23" x 3")
- Simple, easy, 3 piece installation from front or rear
- Accommodates a shower door
- Full ArmorCore reinforced walls for extra strength that enables bars to be located to fit your individual needs.
- Premium, durable applied acrylic/fiberglass construction
- High Gloss 6" tile pattern with Diamond Accents
- 3 grab bars, curtain rod, and drain included
- Attractive and easy to clean with a Limited Lifetime Warranty
- Meets or exceeds UPC, IPC, ANSI Z124.1, NAHB, HUD, FHA
- Made in the USA



**Components Included (Field Installed)**

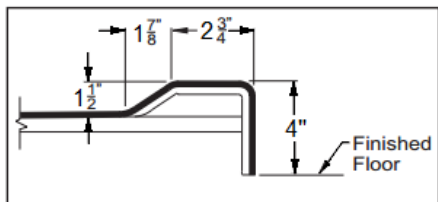
★ Stainless Steel Curtain Rod

★ Three 24" Stainless Steel Grab Bars

★ Chrome Plated Brass Drain



**Low Threshold Details**



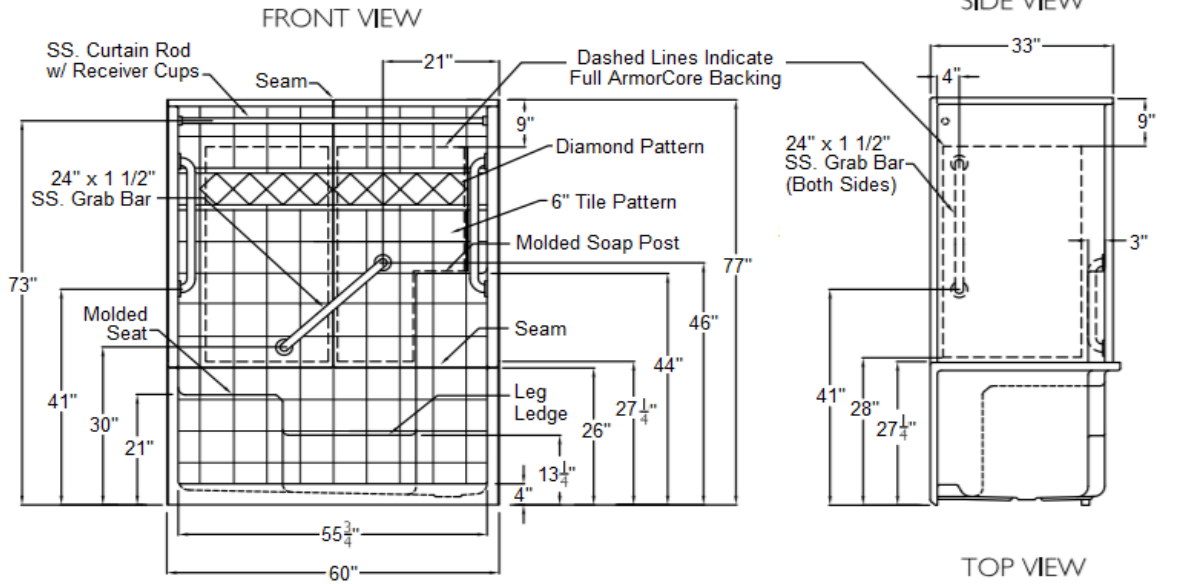
**Seat & Drain**

**Model #**

**Item #**

LH Seat w/ RH Drain	LM6032SH1S3PL	639287
RH Seat w/ LH Drain	LM6032SH1S3PR	639308

SUBMITTAL DATA



3Piece Sectional Shower

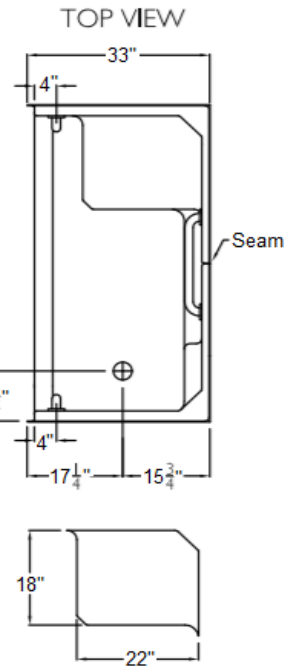
The sectional shower shall be model LM 6032 SH 1 S 3 Piece left or right drain. Finished surface shall be of a sanitary grade applied acrylic. Unit has outside dimensions of: 60" x 33" x 77". Approx Unit Weight: 165 lbs.

The three piece shower shall meet: CSA B45.5, IAPMOZ124, HUD, FHA and Home Innovation Research Lab.

The enclosure shall be equipped with the following installed accessories:

- 1) Tile finish with diamond accents on walls,
- 2) Full reinforced backing on all walls,
- 3) 3 Piece sectional design,
- 4) Large molded seat,
- 5) Molded soap ledges on the back wall,
- 6) Molded leg ledge,
- 7) Left or right drain location,
- 8) Brass drain fitting,
- 9) Stainless steel curtain rode with receiver cups,
- 10) Three 24" grab bars for each side wall,
- 11) 4" threshold

HANDED BY THE SEAT.  
 LEFT HAND SEAT HAS RIGHT HAND DRAIN  
 RIGHT HAND SEAT HAS LEFT HAND DRAIN



DUE TO THE NATURE OF THE MATERIALS  
 DIMENSIONS MAY VARY +/- 1/2 INCH

LAUREL MOUNTAIN

Drawing #: LM6032SH1S3P4.0" ANGLEDHBW  
 VSW2CRFWB

Date: 11-01-15 Revised: 12-18-17

Loudon

LAUREL MOUNTAIN  
 26 Nesbitt Rd Suite 257, New Castle, PA 16105  
 Phone: 1-800-930-0050 Fax: 1-800-930-0051 Email: sales@lmbath.com